

IC-PMC-cPCIa

3U cPCI carrier for PCI Mezzanine Cards

IC-PMC-cPCIa

IC-PMC-cPCIa is a 3U compact PCI carrier for PCI Mezzanine Cards. One PMC card, compliant with IEEE1386, can be plugged onto this carrier. It integrates a 32-bit PCI bus capable of 33 or 66MHz frequencies.

IC-PMC-cPCIa is compatible with PICMG 2.0 Compact PCI standard.

The carrier offers the ability to operate :

- *as host on the PCI bus when it is plugged in a system slot and equipped with a PrPMC. The carrier implements a local arbiter and a clock generator for all the cPCI slots.*

- *as agent on the PCI bus when it is plugged in a peripheral slot.*

cPCI interrupts (IntA, B, C, D) are transmitted directly to the carrier.

IC-PMC-cPCIa is available in Air or Conduction Cooled version.

J1 CPCI connector is connected to 32-bit PCI bus. J2 is connected to the Pn4 PMC connector as defined in PICMG 2.3 standard, excepted the specific system slot signals.



Description

IC-PMC-cPCIa is available for air-cooled system with standard or rugged grade and conduction-cooled chassis. Conformal coating is provided excepted for the standard grade.

Power consumption

1W on the 3.3VDC

Dimension

100*160mm

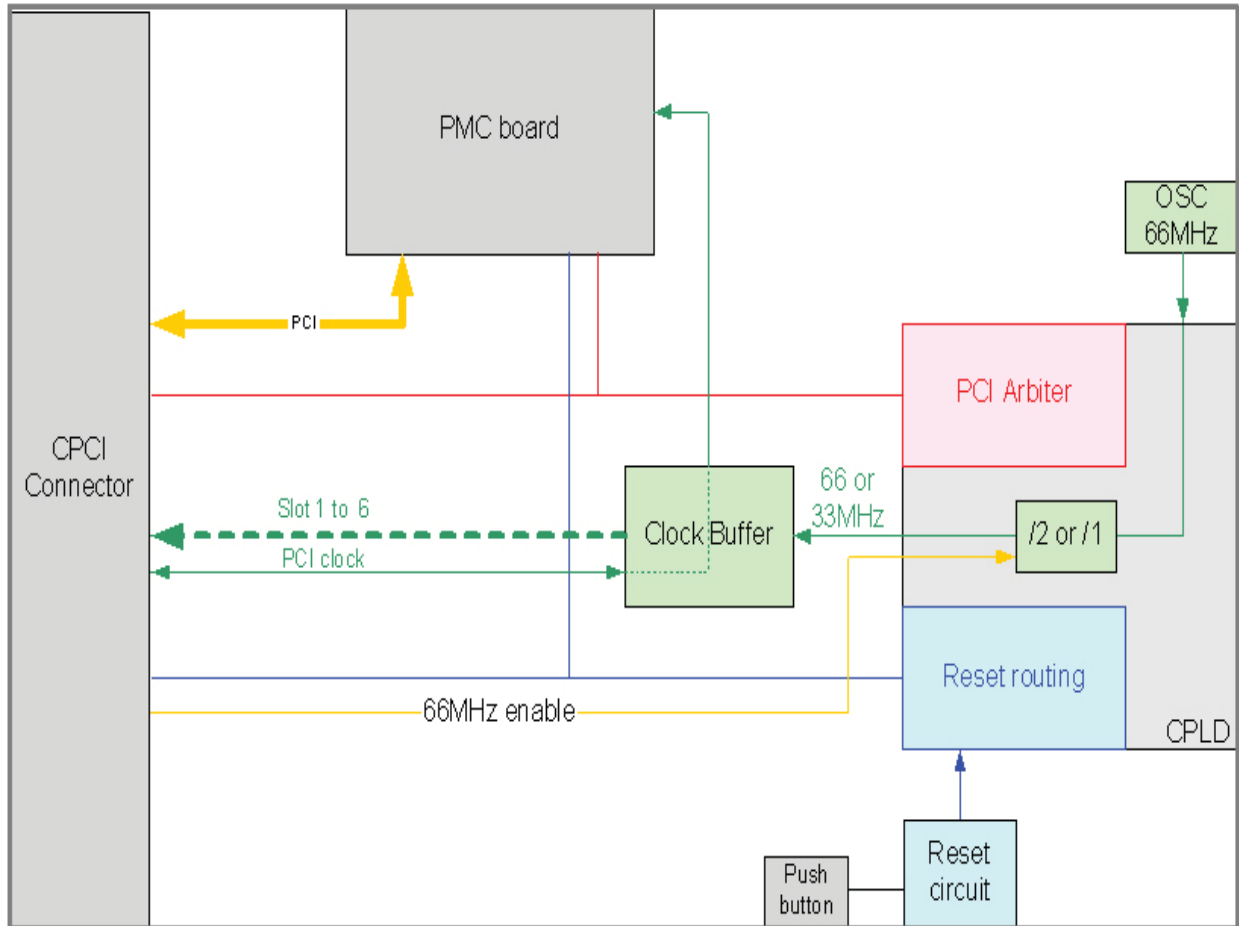
Compliant

PCI Rev 2.3, IEEE1386, EN55022, IEC61000-4-x level 3

IC-PMC-cPCIa

3U cPCI carrier for PCI Mezzanine Cards

Block Diagram



Environnement Specifications:

Please consult the **IC-PMC-cPCIa** page at www.interfaceconcept.com.

Ordering Information:

Please contact our sales department : tel. **+33 (0)2 98 573 030** - email : info@interfaceconcept.com

This document supersedes any earlier documentation relating to the products referred to herein. The information contained in this document is current at the date of publication. It may subsequently be updated or withdrawn without notice.

